

INSPIRING TRENCHLESS TECHNOLOGIES



TRACTO-TECHNIK



200S COMPACT MIRACLE

■ MADE
■ IN
■ GERMANY

GRUNDOBORE^{200S}
Manhole auger boring unit



Thrust locking via foot pedal –
for easy operation

Galvanised grid –
safe base stand for the operator

Compact, powerful rotary drive –
installation of large pipe diameters
in the most limited of spaces

Long stroke for extremely short
construction lengths – effective rod length
of 450 mm

DYNAMIC CHARACTER

Compact and powerful

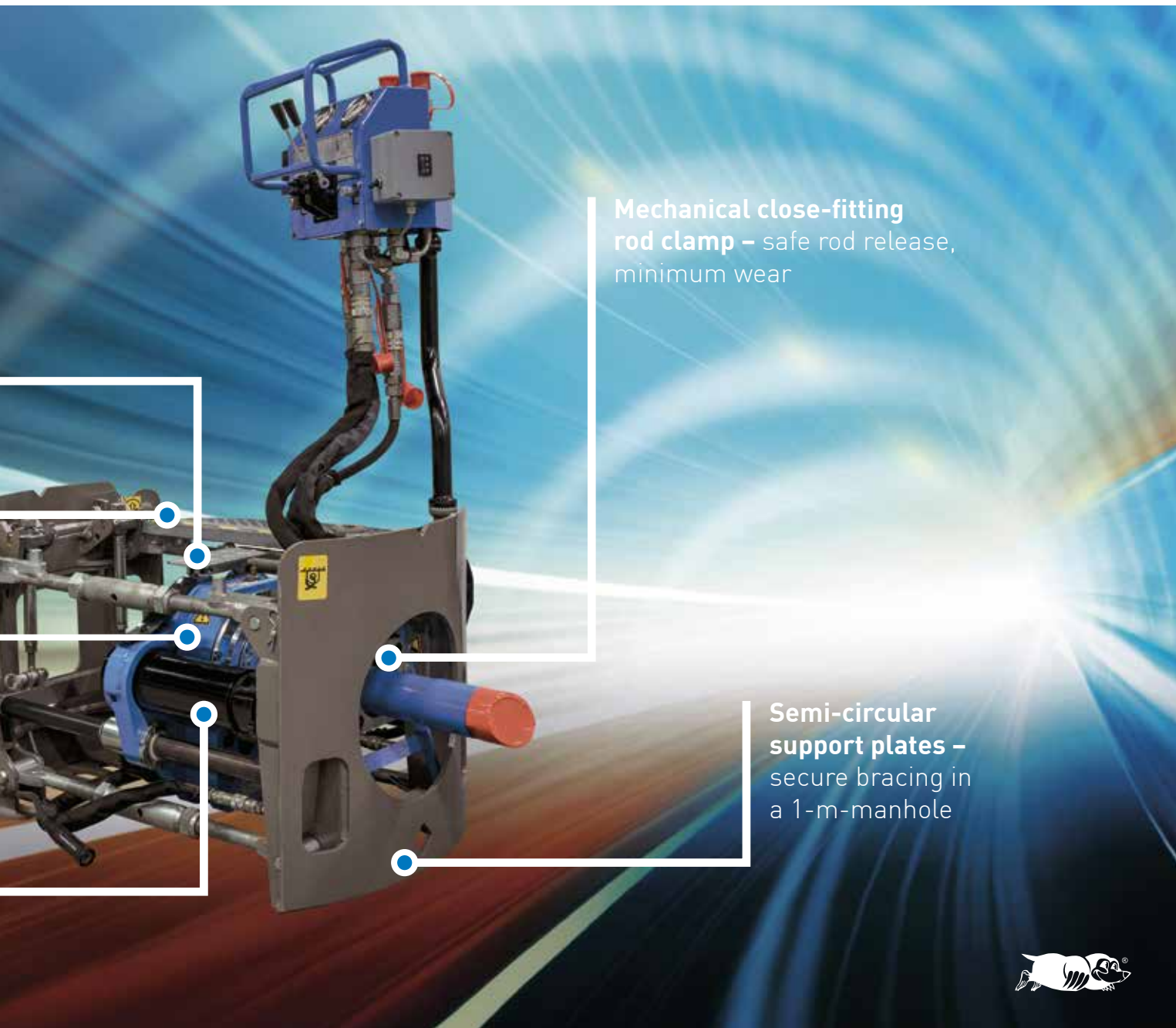
GRUNDOBORE²⁰⁰⁵

- With GRUNDOBORE²⁰⁰⁵ pipe lines can be installed with high positional accuracy.
- The auger boring unit is especially suitable for installing property sewer connections as well as product and protection pipes up to OD 280.
- Launch is possible from a circular 1-m-manhole or extremely small construction pits.

ROTARY DRIVE

With quick-locking rods – simple rod connection, no screwing together at the rotary drive.





Mechanical close-fitting rod clamp – safe rod release, minimum wear

Semi-circular support plates – secure bracing in a 1-m-manhole

CORE BIT GUIDE

Rotating and stable – precise spot drilling of the manhole wall.



BORE DIRECTION

Vertical adjustment of the drilling direction by +/- 11 % is possible after installing the machine.



FUNCTIONAL PRINCIPLES

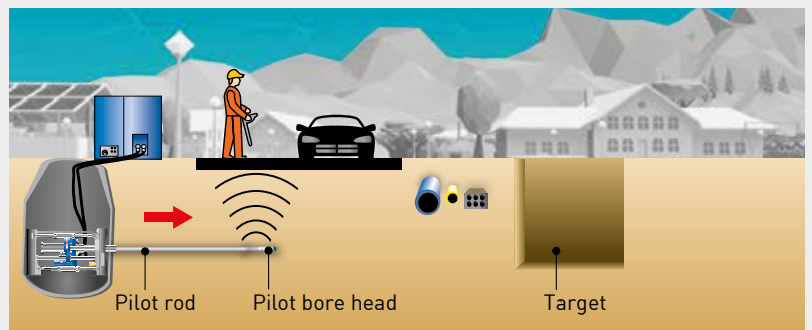
The all-rounder

Auger boring

Standard application for establishing property sewer connections and crossings beneath roads and railway tracks.

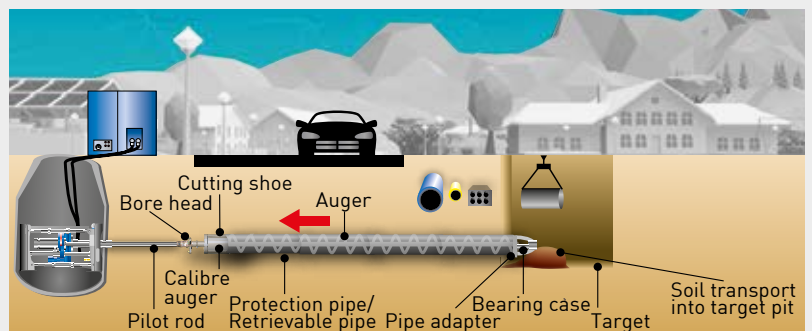
PHASE 1: Pilot rod installation

The pilot rods with the pilot bore head are pushed forward directionally (or non-directionally) from out of the manhole or pit.



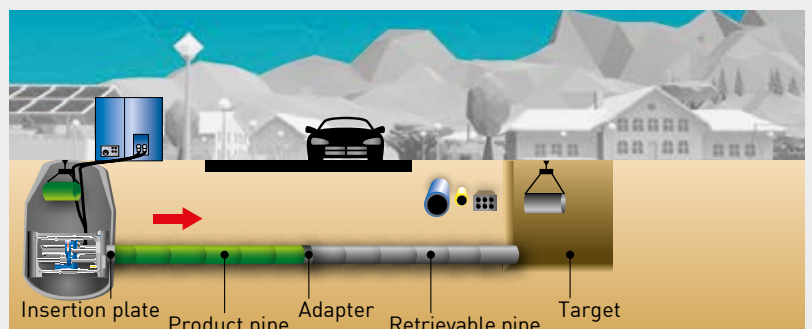
PHASE 2: Upsizing bore

After installing the pilot rod, the drill rods are linked with the bore head and augers and pulled back towards the drill rig while rotating. Simultaneously the augers transport the soil into the target pit, and the casing pipes or retrievable steel pipes are pushed in over a bearing carrier at the end of the auger without the need for rotation.



PHASE 3: Pushing the pipe

By pressing in the product pipes from the direction of the drill rig, the retrievable pipes are pushed into the target pit and recovered from there.

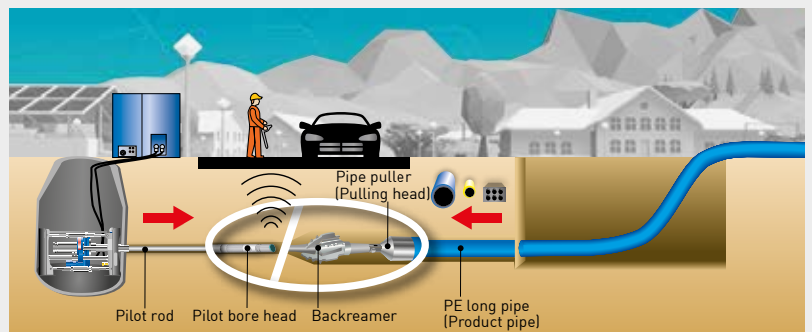




Special applications

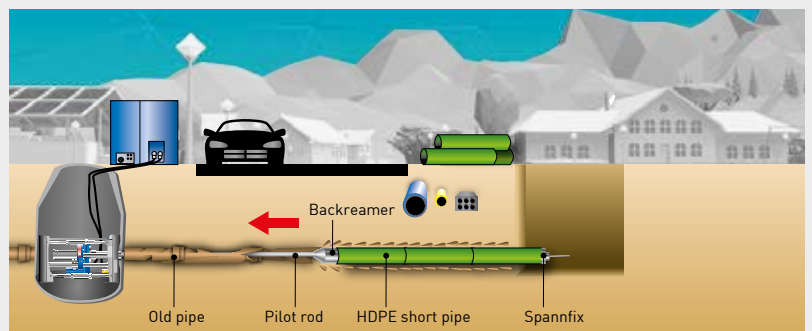
LINEAR HDD METHOD

One special application is the creation of linear HDD bores in difficult stony and rocky ground conditions.



PIPE BURSTING METHOD

The renewal of property sewer service connections is another special application.





WORK PIT LAUNCH



BREAKTHROUGH



MINIMAL





POWERFUL



UPSIZING



COMPACT

WORK PIT



MANHOLE



ACCESSORIES

For all applications

CORE HOLE DRILL



ADAPTER RODS WITH TRIPLE WING CUTTER BIT
non-directional



PILOT RODS WITH TRIPLE WING DRILL BIT



SHOE PIPE



CALIBRE AUGER DRILL



**SUPPORT LAUNCH FRAME
FOR PIT LAUNCH**

HYDRAULIC UNIT TT HP-031





TRANSMITTER HOUSING WITH STEERING HEAD

directional



RETRIEVABLE PLUG-ON PIPE



CONVEYOR AUGER



BEARING CARRIER



ACCESSORIES FOR SPECIAL APPLICATIONS

Available upon request

HDD ACCESSORIES



PIPE BURSTING ACCESSORIES





INSTALLATION

Manhole or pit

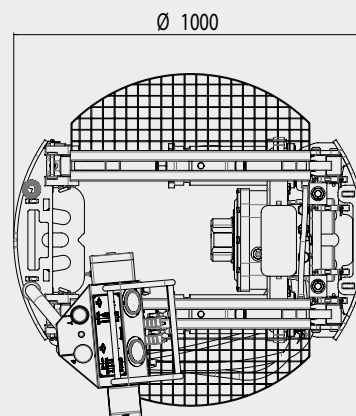
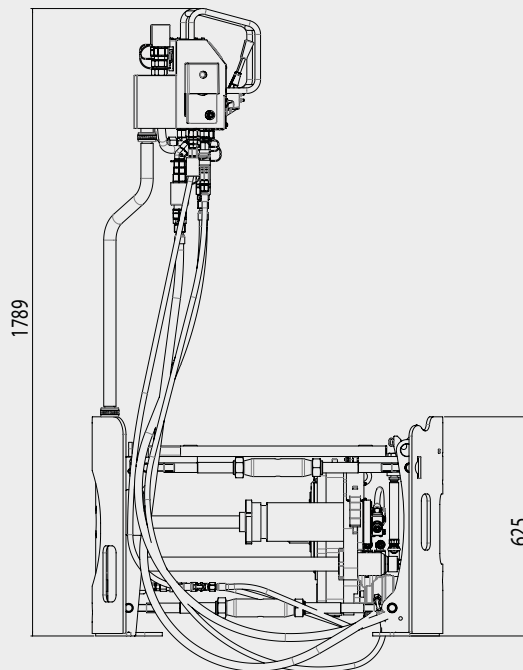
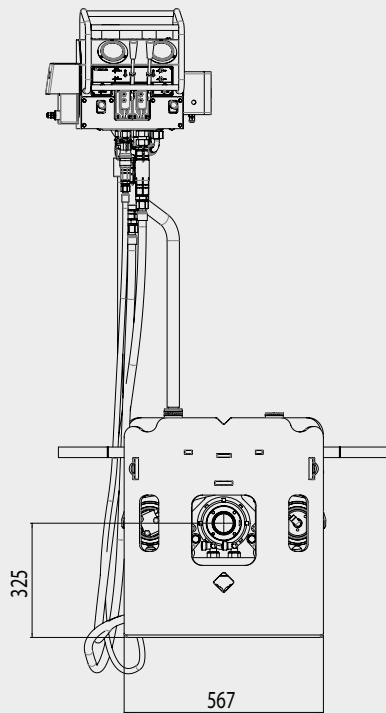


For launch from a manhole with a fracture opening of only \varnothing 62.5 cm, the rig can be disassembled into its single components (bore drive with pressing cylinders/pressing frames).



Support launch frame for pit launch.





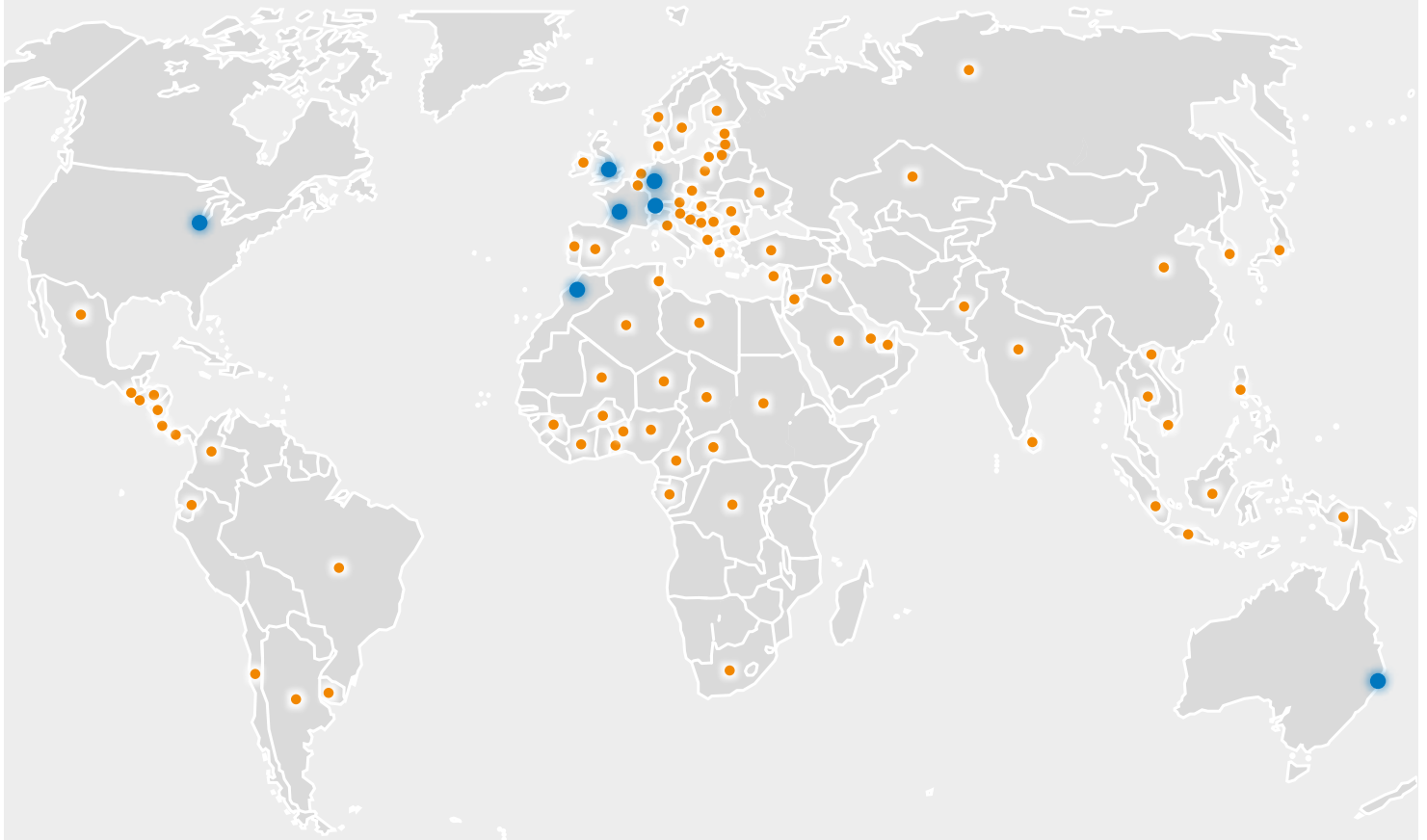
Technical Data

GRUNDOBORE^{200S}

Max. thrust force	200 kN
Max. pulling force	250 kN
Cylinder stroke	280 mm
Max. thrust speed	2 rpm
Max. torque	3,800 Nm
Max. spindle speed	60 rpm
Max. hydraulic pressure	250 bar
Length x Width x Height	960 x 567 x 625 mm
Weight	395 kg
Axis height / axis height with steel frame application (pit launch)	325/375 mm
Launch manhole (circular manhole)	Ø 1 m
Length launch pit	1,2 m
Length target pit	1 m
Effective length pilot rods	450 mm
Diameter pilot rods	82.5 mm
Retrievable pipe / effective length	450 mm
Max. pipe OD	280 mm
Max. bore length (depending on soil conditions)	25 m

TRACTO-TECHNIK

worldwide



Germany
TRACTO-TECHNIK GmbH & Co. KG
TT Headquarters
Paul-Schmidt-Straße 2
57368 Lennestadt - Germany
Tel: +49 2723 808-0 - Fax: -180
export@tracto-technik.de
www.TRACTO-TECHNIK.com

Switzerland
TRACTO-TECHNIK
Schweiz AG
Tel: +41 79 8203897
info@tracto-technik.ch
www.TRACTO-TECHNIK.ch

United Kingdom
TRACTO-TECHNIK UK Ltd
Tel: +44 1234 342566
Fax: +44 1234 352184
info@tt-uk.com
www.TT-UK.com

France
TRACTO-TECHNIK France
Tél: +33 1 60 42 49 40
Fax: +33 1 60 42 49 43
info@tracto-technik.fr
www.TRACTO-TECHNIK.fr

USA
TT TECHNOLOGIES Inc.
Tel: +1 630 851 8200
Fax: +1 630 851 8299
info@tttechnologies.com
www.TTTECHNOLOGIES.com

Australia
TT ASIA PACIFIC Pty Ltd.
Tel: +61 7 3420 5455
Fax: +61 7 3420 5855
info@tt-asiapacific.com
www.TT-ASIAPACIFIC.com

Morocco
TRACTO-TECHNIK Afrique
Tel.: +212 53740 1363/64
Fax: +212 53740 1365
info@tracto-technik.ma
www.TRACTO-TECHNIK.ma

Presented by your TT partner:

INSPIRING TRENCHLESS TECHNOLOGIES

